

**PRODUCT TECHNICAL SHEET**

Collection :

TRIO

Ref. :

1001.--.95

Robinet double service

Dubbele dienstkraan

Double service tap

**Picture**

**Product details**

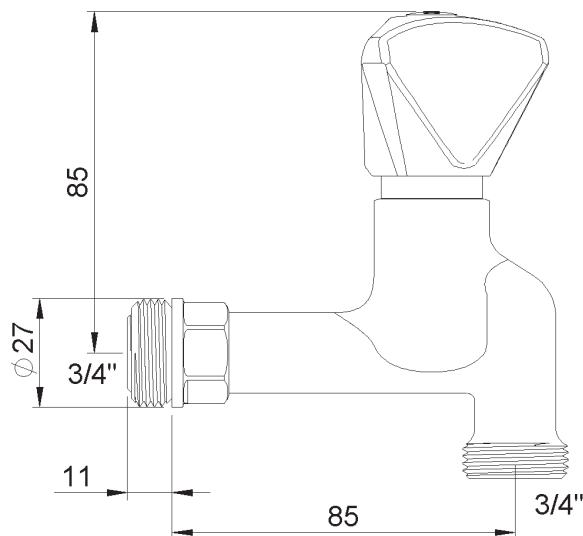
Weight :

0,7 kg



Internal mechanism : 1/3 turn compression valve

**Technical drawing**



RA0.V01